



SHIRK'S SUPERIOR PRODUCTS LLC

**6 Gallon Caddy Sprayer
Manual**

Model SP301 and SP302



Please read and save these instructions. For safety, read all safety and operating instructions prior to using equipment.

MSP301 1/22/23

Introduction

Table of Contents

Introduction	2
Safety	3
Assembly and Installing	4
Operating	5
Warranty	7
Parts Illustration	8

Using Your Operator's Manual

Read this entire operator's manual, especially the safety information, before operating.

This manual is an important part of your equipment. Keep all manuals in a convenient location so they can be accessed easily.

Use the safety and operating information in the attachment operator's manual, along with the machine operator's manual, to operate and service the attachment safely and correctly.

If you have any questions or concerns with the assembly, installation, or operation of this attachment, contact Shirks Superior Products LLC at (717) 875-5063

Warranty information on this Shirks Superior Products LLC attachment can be found in the warranty statement included in this manual.

Original Instructions. All information, illustrations and specifications in this manual are based on the latest information available at the time of publication.

The right is reserved to make changes at any time without notice.

Safety

Safety

Operating Safely

- Always inspect the sprayer completely before and after each use. Before pressurizing the system, check to be sure all fittings and hoses are tightly installed. Make any necessary adjustments before you operate.
- Never use the sprayer during windy conditions.
- Always release pressure in the system before filling, cleaning or servicing the sprayer.
- Do not put nozzle tip or other sprayer parts to your lips to blow out dirt. Use compressed air.

Mix and Handle Chemicals Safely

- It is best to wear full cover clothing and always wear protective goggles and rubber gloves to protect yourself while handling chemicals.
- Follow instructions on chemical container labels.
- Open all chemical containers carefully, using proper tools.
- Open, pour, weigh and mix chemicals in a well-ventilated area.
- Reserve all equipment used for the application of chemicals exclusively for that purpose.
- Prohibit all smoking, drinking and eating food in chemical-handling area.
- It is a good practice to take a soapy shower immediately after the using the sprayer to apply chemicals.
- Wash all clothing worn when using chemicals separately in the laundry after spraying is completed.

Read Chemical Container Label

- Chemicals can be dangerous. Improper selection or use can injure persons, animals, plants, soils or other property. Select the right chemical for the job and handle and apply with care.
- Read the instructions, precautions, and warnings on the container label before opening. Use the product strictly according to label directions for specific applications, in the amounts specified, at the times specified and only when needed.
- Keep the container closed tightly except when preparing the mix.
- Do not remove labels from chemical containers. Store all chemicals in their original containers.
- Do not mix chemicals unless stated on the container label.
- Store chemicals when not in use according to the container label.

Handle Chemical Products Safely

- Direct exposure to hazardous chemicals can cause serious injury.
- Potentially hazardous chemicals used with John Deere equipment include pesticides, herbicides and fungicides.
- A Material Safety Data Sheet (MSDS) provides specific details on chemical products: physical and health hazards, safety procedures, and emergency response techniques.
- The MSDS should be obtained from the chemical dealer at the time of the chemical purchase.
- Check the MSDS before beginning any job using a hazardous chemical.
- Know exactly what the risks are and how to do the job safely. Always wear recommended personal protection equipment.

Dispose of Chemicals Properly

- Proper disposal of excess spray material is very important. If you have excess tank solution, it is best to dilute it with water and apply it to the area you previously treated.
- Never dump solution into a drain or near a lake or stream.
- Chemicals containers should be triple-rinsed, with the rinse water added to the sprayer tank. Do not burn empty chemical containers. Dispose of containers at recycling centers.

Handling Waste Product and Chemicals

- Waste products, such as, used oil, fuel, coolant, brake fluid, and batteries, can harm the environment and people:
- Do not use beverage containers for waste fluids - someone may drink from them.
- See your local Recycling Center or authorized dealer to learn how to recycle or get rid of waste products.
- A Material Safety Data Sheet (MSDS) provides specific details on chemical products: physical and health hazards, safety procedures, and emergency response techniques. The seller of the chemical products used with your machine is responsible for providing the MSDS for that product.

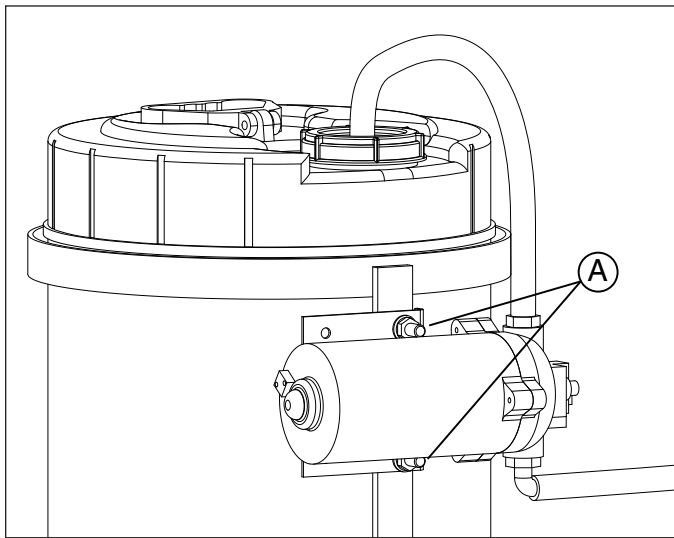
Assembly and Installing

6 Gallon Caddy Sprayer

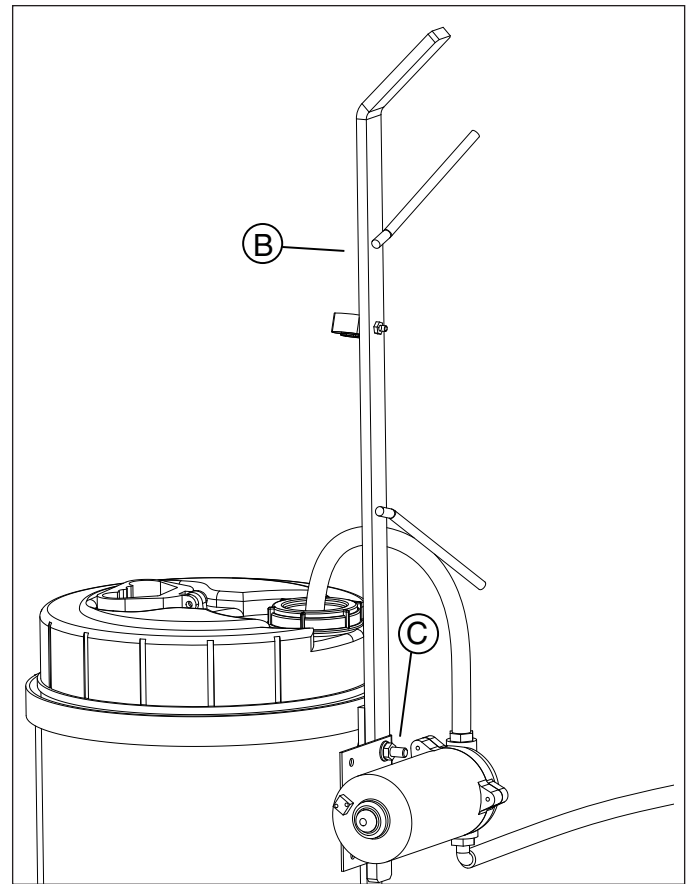
Parts in Kit

Qty.	Description
1	Sprayer Assembly
1	Handle
1	12V Battery Charger

Assembly



1. Remove nuts (A) from bolts fastening pump to frame



2. Put handle (B) between frame and pump. Reinstall nuts (C).

Operating

Operating

Filling Sprayer Tank

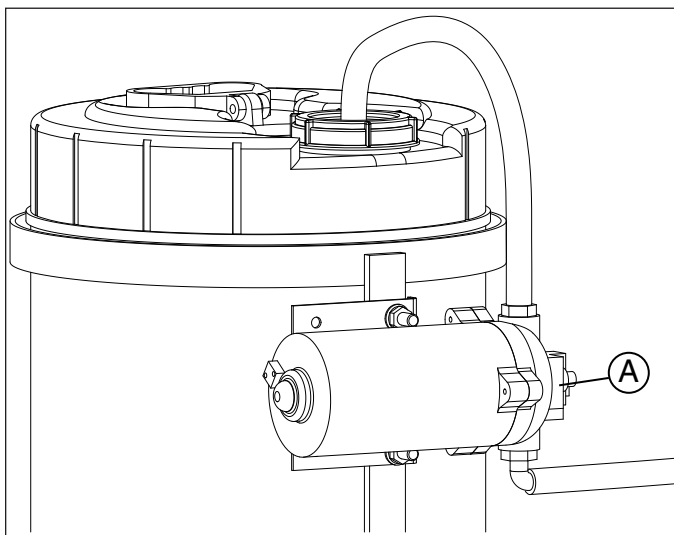


CAUTION: Avoid injury! Chemicals can be dangerous. Avoid injury to operator or bystanders:

- Read chemical container label for mixing and handling instructions. A Material Safety Data Sheet (MSDS) should be supplied by the chemical dealer and provides proper safety information.
- Wear proper clothing and safety equipment while handling or applying spray chemicals.
- Wear a full covering of clothing, protective goggles and rubber gloves.
- Prohibit all smoking, drinking, and eating around chemicals.
- When filling tank, never allow end of water hose to contact chemical mixture.

1. Clean area around tank filler cap to prevent tank contamination.
2. Remove tank filler cap and fill tank.

Starting and Stopping Sprayer



1. Push switch (A) to on or off position to start or stop sprayer.

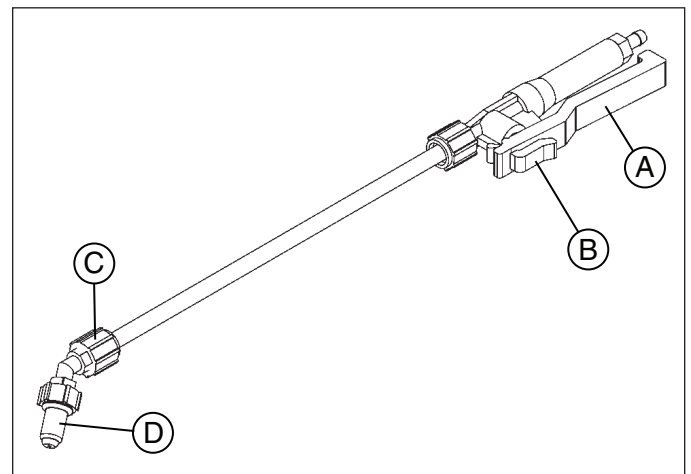
Draining and Cleaning Sprayer Tank

IMPORTANT: Avoid damage!

- Proper disposal of excess spray is very important. Dilute it with water and apply it to area previously treated.
- Never dump excess into a storm drain or near a lake or stream.

1. Spray remaining solution into an appropriate container for proper disposal.
2. Spray all inside surfaces of tank with low pressure garden hose to remove any remaining solution. Rinse several times to make sure sprayer tank is clean and free of chemicals.
3. Run fresh, clean water through pump, sprayer wand and all hoses thoroughly.
4. Once the tank is empty, leave the cap off to allow the tank to dry.

Operating Spray Wand



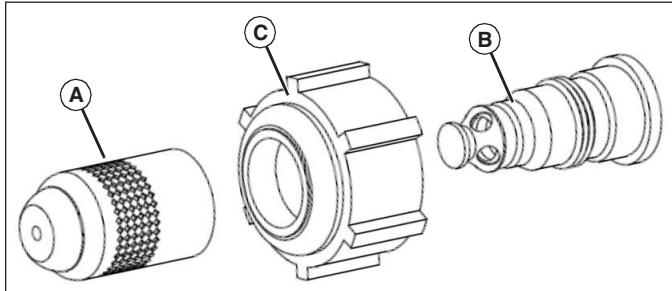
1. Squeeze handle (A) to spray.
 - Push lock (B) forward to lock handle into the on position.
2. Adjust nozzle:
 - Nozzle Angle - Loosen locknut (C). Turn nozzle (D) as desired and tighten locknut.
 - Nozzle Spray Pattern - To change spray pattern, tighten or loosen nozzle (D) as desired.

Operating

Cleaning Spray Wand Nozzle



CAUTION: Avoid injury! Do not put nozzle tip or other sprayer parts to your lips to blow out dirt. Use compressed air or clean water.



1. Remove nozzle (A) from the spray tip (B).
2. Loosen nut (C), and remove the spray tip (B) from the angled fitting on the wand.
3. Wash nozzle (A), and spray tip (B) with liquid detergent and warm water.
4. Inspect O-rings and replace as needed.
5. Slide nut (C) over the spray tip (B), and install on angled fitting on wand.
6. Install nozzle (A) on spray tip (B).

Storage

Drain all the water out the sprayer. Pay special attention to the pump, spray wand, valves, and hoses.

It is best to store the caddy sprayer in a heated area to avoid freezing. Broken components due to freezing are not covered by the limited warranty.

Battery Charging and Maintenance

Note: To prevent damage, only use charger with the supplied battery.



CAUTION: Failure to follow the warnings and instructions may result in explosion, electric shock, fire, and/or serious injury.

- Do not leave the charger connected for more than 16hrs.
- Do not make connections to battery near open flame, sparks, or when smoking.
- Connect to battery before plugging charger into electrical outlet.
- Do not touch clips together while charger is plugged in.
- Do not place charger or electrical connections on the ground floor.
- Do not turn on equipment that the battery is connected to while charging.
- Do not charge battery in an enclosed area
- Do not leave charger or battery unchecked for extended periods of time.

Connecting Charger

1. Place float charger within 3 feet of battery.
2. Connect Red clip to positive (+) terminal of battery.
3. Connect Black clip to negative (-) terminal of battery.
4. Plug AC adapter into electrical outlet

Disconnecting Charger

1. Unplug the AC adapter
2. Remove the black clip from the negative (-) terminal.
3. Remove the red clip from the positive (+) terminal.

Warranty

Warranty

Limited Warranty

Shirks Superior Products LLC accessories are guaranteed to be free from defects in material and workmanship from the date of purchase for

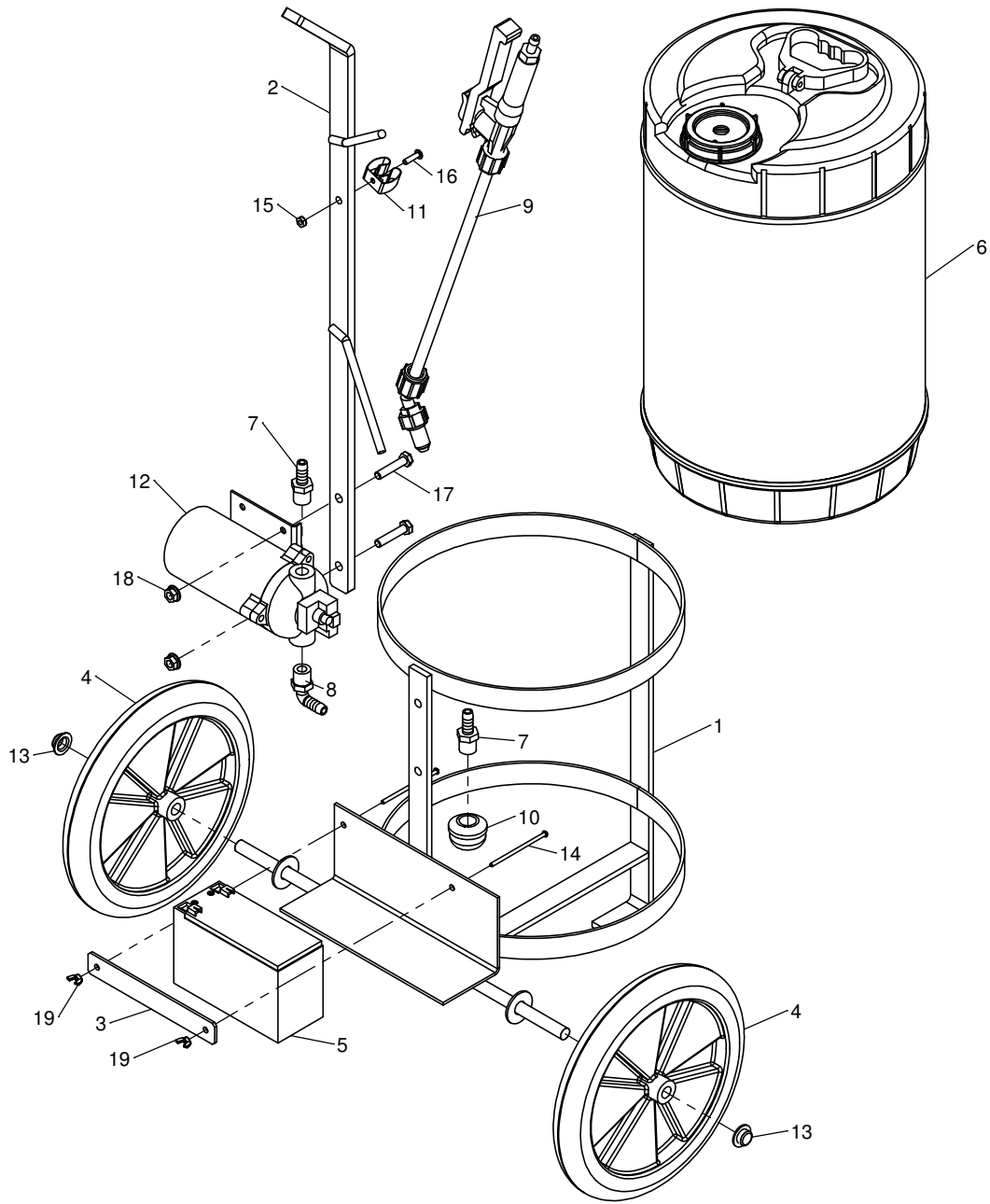
1 year residential use, 6 months commercial use, provided that the purchaser properly assembles, installs, uses and maintains the products in accordance with this manual. Purchaser's failure to adhere to such requirements will void the warranty. To the extent permitted by applicable law, all other warranties, representations, obligations and conditions, expressed or implied, including but not limited to implied warranties of merchantability, fitness for any particular purpose and non-infringement, are hereby disclaimed and excluded. Any product which does not meet warranty shall, as purchaser's sole and exclusive remedy, be repaired or replaced by Shirks Superior Products LLC. This warranty is non-transferable.

In addition, our warranty does not cover:

- Labor charges
- Loss or consequential, incidental or special damages of any kind

Shirks Superior Products LLC reserves the right to request photos or return of damaged/ defective parts. Please have a copy of the original purchase order, receipt and serial number (if available) to submit the claim. All warranty parts must be supplied by Shirks Superior Products LLC. We will not reimburse for parts purchased from other suppliers.

SP301 & SP302 - 6 Gallon Spray Caddy



#	Part #	Qty.	Description
1	SHM300	1	Caddy Frame
2	SHM300	1	Handle
3	SHM300	1	Battery Strap (SP301)
4	SP4710	2	Wheel
5	SP4711	1	Battery (SP301)
6	SP4712	1	6 Gallon Tank
7	SP4713	2	3/8" Straight Barbed Fitting
8	SP4714	1	3/8NPT x 3/8 Barbed, Elbow
9	SP4715	1	Spray Wand w/ Tip
10	SP4716	1	Sump Strainer 3/8"
11	SP4717	1	Wand clip
12	SP4718	1	Pump Remco 100 psi
13	SP4700	2	1/2 Shaft collar
14	SP4008	2	6/32 Bolt (SP301)
15	SP4006	5	10/24 lock nut

#	Part #	Qty.	Description
16	SP4003	5	10/24 Truss Head Bolt
17	SP4203	2	5/16x1 Flange Bolt
18	SP4200	2	5/16 Flange nut
19	SP4009	2	6/32 Wing nut (SP301)
-	SHM300	1	Pump plate
-	SP4704	1	165 O clamp
-	SP4703	2	185 O clamp
-	SP4707	1	Nylon hose holder
-	SP4725	1	Warning label
-	SP4726	1	Gallon label
-	SP4724	18ft	3/8 Hose
-	SP4719	1	Float charger (SP301)
-	SP4720	1	Wire harness 15A battery (SP301)
-	SP4721	1	Cordless conversion kit (SP302)
-	SP4722	1	Handle grip
-	SP4723	2	Hose wrap cap